

LED DRIVER 40W, IP20

Revideret d. 22-05-17



SUMMARY:

EUP40D-1H12V0SM / EUP40D-1H24V0SM is a constant voltage mode output LED driver and complies with DALI standard protocol IEC 62386. This driver can be connected to DALI main controller or Touch DIM to achieve a smooth dimming effect.

FEATURES:

- Single channel constant voltage output, 6.2A max
- Meet DALI protocol IEC 62386
- Support Touch DIM function
- High input voltage of 200VAC ~ 240VAC
- Dimming effect smooth, no flicker
- Over load protection; over voltage protection; short circuit protection
- IP20, suitable for indoor LED lighting application

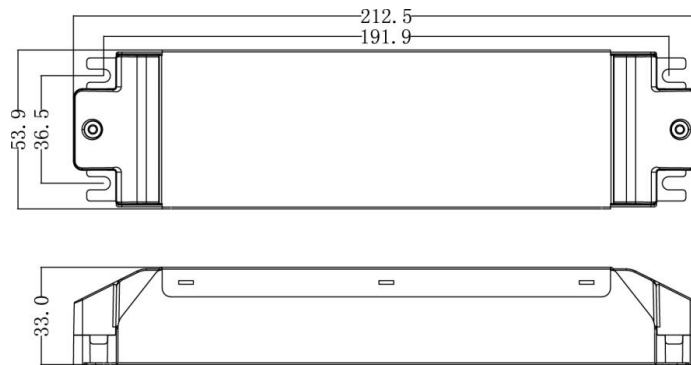
GENERAL INFORMATION

		1	1
OUTPUT	Channels	1	1
	Voltage	12VDC	24VDC
	Current	6.2A	6.2A
	Power	40.8W	40.8W
	Voltage accuracy	±3%	±3%
	R & N (Max)	120mVp-p	120mVp-p
INPUT	Voltage	200VAC - 240VAC	200VAC - 240VAC
	Frequency	50/60Hz	50/60Hz
	Efficiency	>85%@230VAC, full load	>85%@230VAC, full load
	PF	≥0.95@230VAC, full load	≥0.95@230VAC, full load
	Current	0.4A@230VAC	0.4A@230VAC
	Inrush current	Cold start, 45@230VAC	Cold start, 45@230VAC
FU. PROTECTION	Over voltage	Hiccup, recovers after fault condition is removed	Hiccup, recovers after fault condition is removed
	Over load	Hiccup, recovers after fault condition is removed	Hiccup, recovers after fault condition is removed
	Short circuit	Hiccup, recovers after fault condition is removed	Hiccup, recovers after fault condition is removed
FU. NC.	Dimming mode	DALI, Touch DIM	DALI, Touch DIM
OTHER	Dimension	L:213 x W:54 x H:33 mm	L:213 x W:54 x H:33 mm
	G.W.	460g	460g
	Pack size	L:244 x W:223 x H:199 mm	L:244 x W:223 x H:199 mm
	IP rating	IP20	IP20
	Working temperature	-20°C ~ 40°C	-20°C ~ 40°C
	Relative humidity	20~90%RH	20~90%RH
	Product no.:	N60-0230-000001	N60-0230-000003

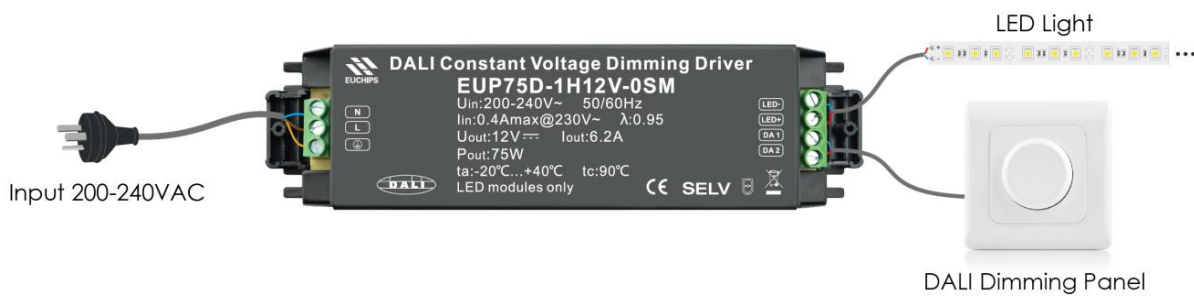


LIGHT INNOVATION TECHNOLOGY

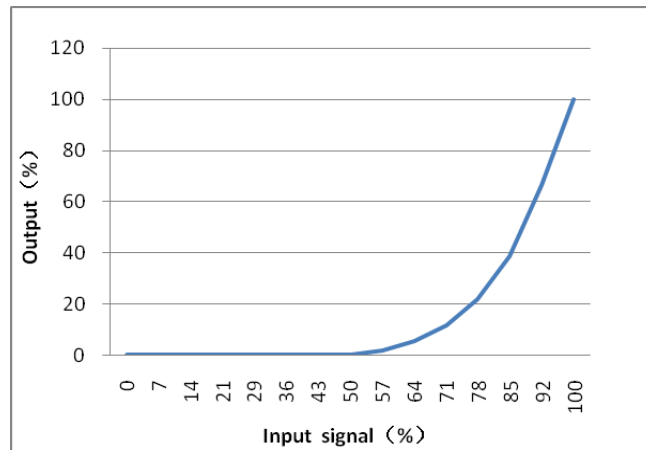
DIMENSIONS (mm)



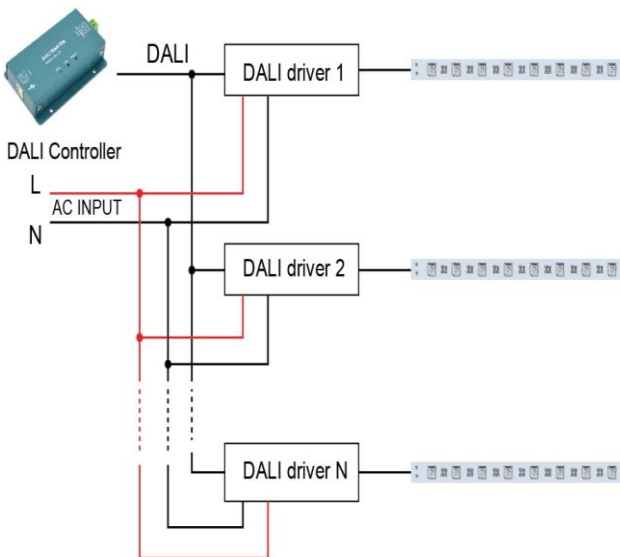
WIRING DIAGRAM



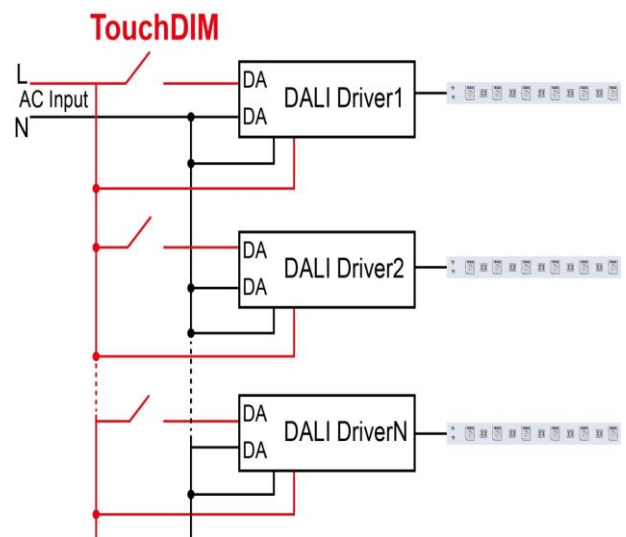
DIMMING CURVE



DALI DIAGRAM



TOUCH DIM DIAGRAM



REMARK: Only use open push button without indicator light. Maximum cable length between each unit: 20 meters.



LIGHT INNOVATION TECHNOLOGY

DIM TOUCH FUNCTION

1. Short press the Touch DIM switch (>0.5s) to control the lamp on or off.
2. Long press the Touch DIM switch (>0.5s) to dim the brightness of light. The dimming direction will change every time after pressing the switch.
3. Double-click the Touch DIM switch (>0.3s), then all lamps connected on the device will be set maximum brightness.
4. The brightness adjustment range is 1%-100%, and the light can be turned off through short pressing when doing the adjustment with long pressing Touch DIM switch.
5. With the Power off memory function, the power-down state will be recovered when power on again.

CAUTIONS

1. The product shall be installed and serviced by a qualified person.
2. DALI and Touch DIM functions cannot be used simultaneously, which can be controlled respectively by using DALI controllers or the equipments with Touch DIM function.
3. This product is non-waterproof. Please avoid sun and rain. When installing outdoors please ensure it is mounted in a water proof enclosure.
4. Good heat dissipation will prolong the working life of the controller.
5. Please check if the output voltage and current of any LED power supplies used comply with the requirement of the product.
6. Ensure all wire connections and polarities are correct before applying power to avoid any damages to the LED lights.
7. For safety consideration, PVC or rubber cord of 0.75-1.5mm² is recommended for input and output terminal(s) (excluding signal terminals). Flat power cord is not suitable. Ensure all wire connections and polarities are correct before applying power to avoid any damages to the LED lights.
8. If a fault occurs please return the product to your supplier. Do not attempt to fix this product by yourself.



LIGHT INNOVATION TECHNOLOGY